



## P5L Profile

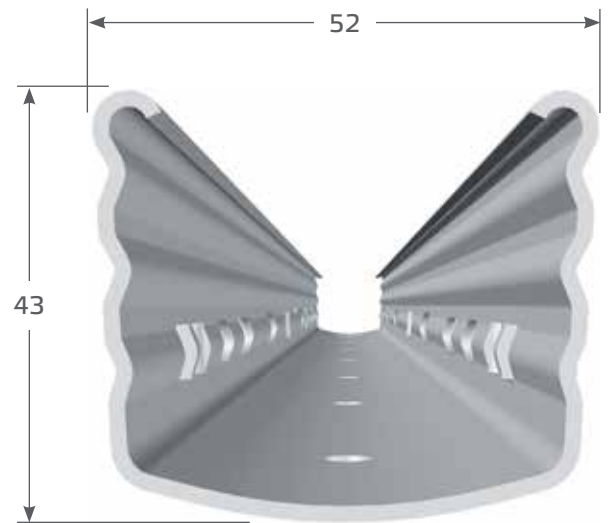
The large lateral profile is even greater with the P5L. A side length of 43 mm guarantees stability for tall and high load trellises of up to 2.10 m above ground.

The post is manufactured with 10 cm between hooks and the patented tapered S-hook is fitted as standard. The new R-hook and Combi-hook can also be used here.

Custom designs are available on request.

Our posts are available in the following variants :

- Hot dipped galvanised (HDG)
- Pre-galvanised strip (Z275)
- Zinc-Aluminium-Magnesium (ZM310)
- Weatherproof steel



### P5L Configuration table

Hooks	Post length [cm]	
	250-270	280-300
	Number of pairs of hooks	
10 mm short tapered S-hook	1	1
10 mm long tapered S-hook	7	7
10 mm R-hook	7	7
14 mm Combi-hook	7	7
10 mm short tapered S-hook	4	4
8 mm S-hook	1	3
8 mm Double hook	1	1
<b>Total number of pairs of hooks</b>	<b>14</b>	<b>16</b>

### P5L installation depth table

Post length [cm]	Recommended installation depth [cm]
250	70-75
260	80
270	85
280	90
300	95

For intermediate posts the profile opening should always be facing the slope.



# PSL Profile

## 3-hook system: the right hook for each application



Upper fixed wire area



Short tapered S-hook



Moving wire area



Long tapered S-hook



R-hook



Combi-hook



Lower fixed wire area



S-hook



Short tapered S-hook



Double hook

