



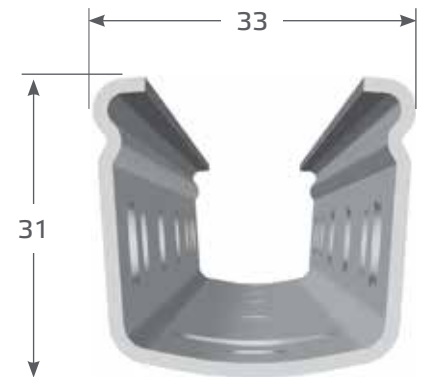
P3 Profile

The ideal solution for trellis systems with a height of up to 1.20 m above ground. The P3 profile was specifically developed for lower trellises and is a great post for this application.

Custom designs are available on request.

Our posts are available in 3 different types:

- Hot Dipped Galvanised
- Strip Galvanised (Z350)
- Weathering steel



P3 Configuration table

Hooks	Post length [cm]	
	140-160	180
	Number of pairs of hooks	
10 mm short tapered S-hook	1	1
10 mm long tapered S-hook	4	5
10 mm short tapered S-hook	1	2
8 mm S-hook	1	1
8 mm Double hook	1	1
Total number of pairs of hooks	8	10

P3 Installation depth table

Post length [cm]	Recommended installation depth [cm]
140	40-45
160	50
180	55

For intermediate posts the profile opening should always be facing the slope.



P3 Profile

3-hook system: the right hook for each application

