



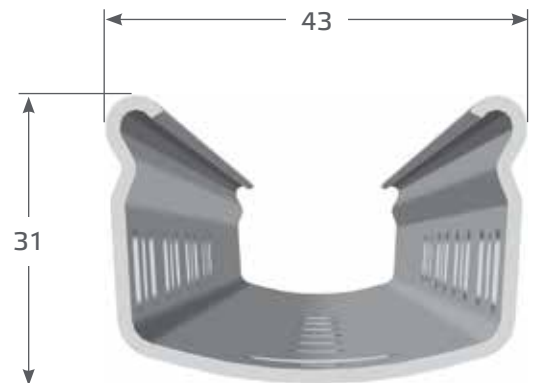
## P4 Profile

The P4 can be used for low and medium trellis system heights of up to 1.60 m above ground. It is fitted with tapered S-hooks in the standard version and is also available with Combi-hooks.

Custom designs are available on request.

**Our posts are available in 3 different types:**

- Hot Dipped Galvanised
- Strip Galvanised (Z350)
- Weathering steel



### P4 Configuration table

Hooks	Post length [cm]		
	140-160	180-190	200-220
	Number of pairs of hooks		
10 mm short tapered S-hook	1	1	1
10 mm long tapered S-hook	4	5	6
14 mm Combi-hook	4	5	6
10 mm short tapered S-hook	1	2	3
8 mm S-hook	1	1	1
8 mm Double hook	1	1	1
<b>Total number of pairs of hooks</b>	<b>8</b>	<b>10</b>	<b>12</b>

### P4 Installation depth table

Post length [cm]	Recommended installation depth [cm]
140	40-45
160	50
180	55
200	60-65
220	65

**For intermediate posts the profile opening should always be facing the slope.**



# P4 Profile

## 3-hook system: the right hook for each application



Upper fixed wire area



Short tapered S-hook



Moving wire area



Long tapered S-hook



Combi-hook



Upper fixed wire area



S-hook



Short tapered S-hook



Double hook

