



P5M Profile

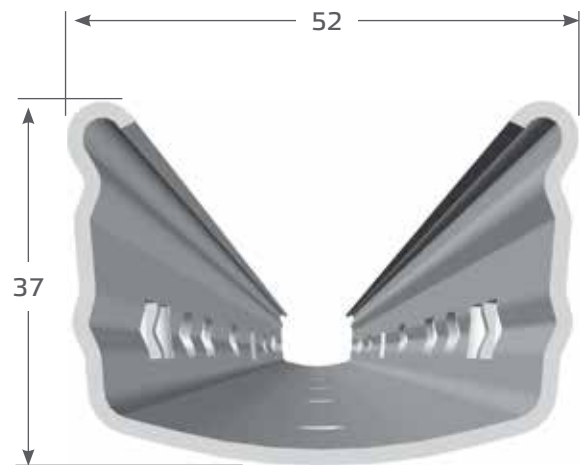
This variant of the P5 post, which has a reinforced lateral length (37 mm), can be used for trellises of up to a height of 1.95 m above the ground.

The P5M is manufactured with the tapered S-hook on the standard model. These form large, stable wire eyes and are suitable for use with any machinery in the vineyard. The new R-hook can be used here, as well as the Combi-hooks.

Custom designs are available on request.

Our posts are available in the following variants :

- Hot dipped galvanised (HDG)
- Pre-galvanised strip (Z275)
- Zinc-Aluminium-Magnesium (ZM310)
- Weatherproof steel



P5M Configuration table

Hooks	Post length [cm]	
	230-270	280
	Number of pairs of hooks	
10 mm short tapered S-hook	1	1
10 mm long tapered S-hook	7	7
10 mm R-hook	7	7
14 mm Combi-hook	7	7
10 mm short tapered S-hook	4	4
8 mm S-hook	1	3
8 mm Double hook	1	1
Total number of pairs of hooks	14	16

P5M installation depth table

Post length [cm]	Recommended installation depth [cm]
230	65-70
240	70
250	75
260	80
270	85
280	90

For intermediate posts the profile opening should always be facing the slope.



P5M Profile

3-hook system: the right hook for each application

