

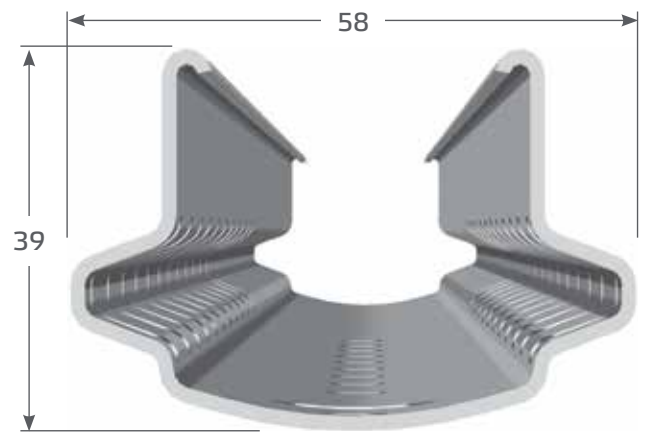


P6 Profile

With its interior notches, the P6 is the perfect solution for users of more traditional types of posts. The post profile is suitable for low, intermediate and high trellis systems with a height of up to 1.90 m above ground.

Due to varied requirements, we offer the P6 with 3 different notch designs. The interior notch is located in the upper area, where it safely holds fixed and moving wires and prevents them from jumping out. The interior angled notch is located in the fixed wire area and this holds the wires securely in position. The lower end comprises of the interior double notch, which enables the user to attach the moving wires during the winter months.

All the notches are characterised by large insertion apertures and high levels of stability and functionality.



Our posts are available in 3 different types:

- Hot Dipped Galvanised
- Strip Galvanised (Z350)
- Weathering steel

P6 Configuration table

Notches	Post length [cm]	
	200-220	230-270
	Number of pairs of notches	
Interior notch	8	8
Interior angled notch	3	4
Interior double notch	1	2
Total number of pairs of notches	12	14

P6 installation depth table

Post length [cm]	Recommended installation depth [cm]
220	65
230	70
240	70-75
250	75
260	80
270	85

For intermediate posts the profile opening should always be facing the slope.



P6 Profile

The right notch for each application



Lower fixed wire
area



Interior
double notch



Interior
angled notch



Moving wire
area



Interior notch



Upper fixed wire
area



Interior notch



Profil Alsace S.A.S.
Zone Industrielle Kiesweg
F-67630 Niederlauterbach

Tel.: +33 (0) 3 88 94 68 88
Fax: +33 (0) 3 88 94 68 85
E-Mail: info@profilalsace.com
www.profilalsace.com



Website



Youtube